

Safety Instructions



0, 1, 4, 6, 7, 8, 9,
11, 15, 18, 19, 22



Info Hotline



+49 (0) 5041 998 389

Mon.-Do. 7⁰⁰-20⁰⁰

Fr. 7⁰⁰-17⁰⁰



Paulmann Licht GmbH
31832 Springe / Germany
www.paulmann.com

Art.-Nr.:


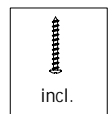


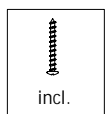
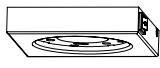
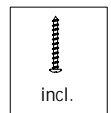


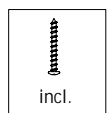
930.00/930.01

930.02/930.03

986.32/986.38

(+MA 173)

PDG 08/12

<p>930.00 / 930.01</p>  <p>1X</p>  <p>incl.</p>	<p>986.32</p>  <p>3X</p>  <p>3X</p>  <p>incl.</p>
<p>930.02 / 930.03</p>  <p>1X</p>  <p>incl.</p>	<p>986.38</p>  <p>3X</p>  <p>3X</p>  <p>incl.</p>

